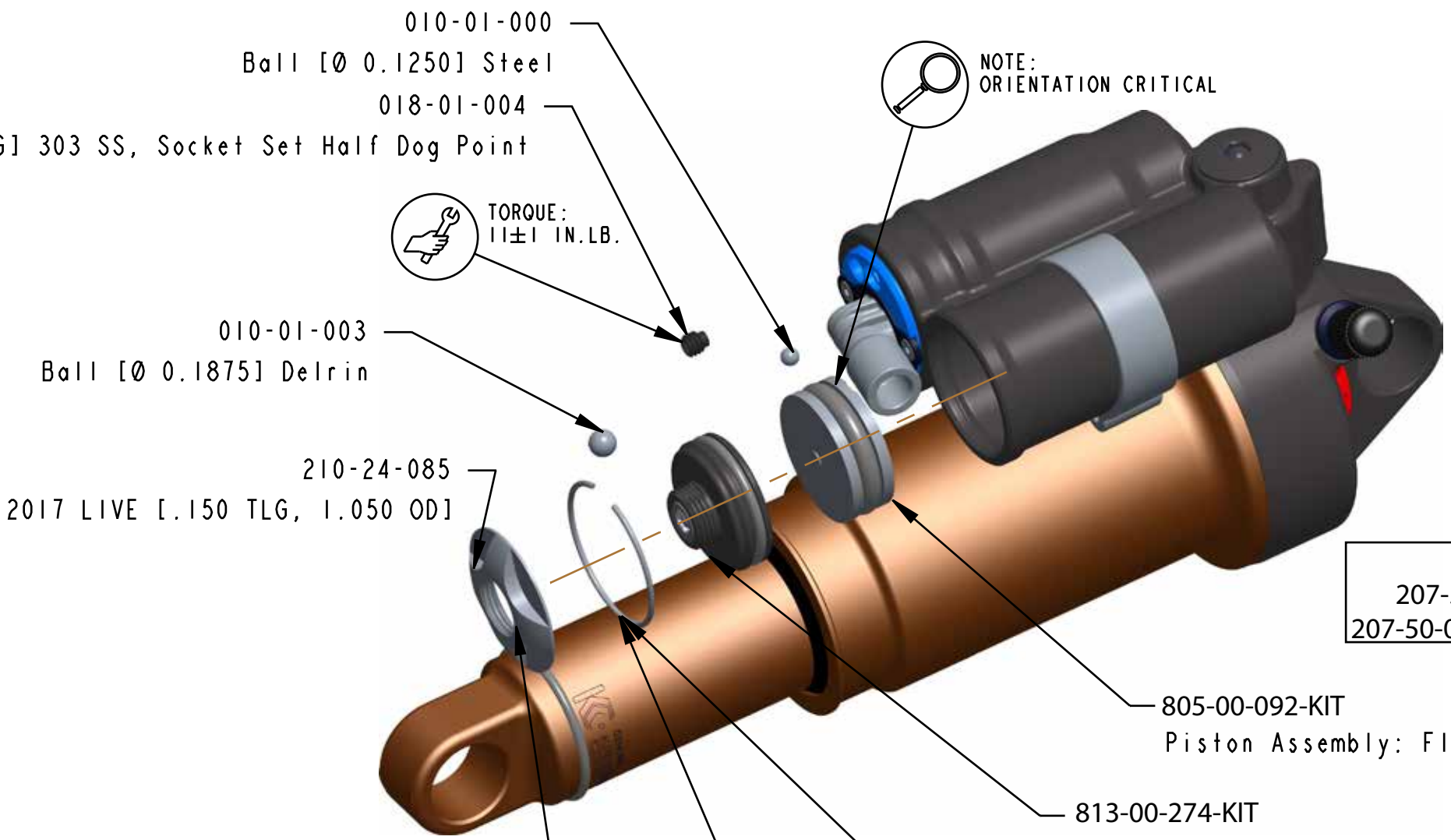


Fastener, Standard: Screw [#8-32 X 0.250 TLG] 303 SS, Socket Set Half Dog Point



010-01-000 Ball [Ø 0.1250] Steel
018-01-004

TORQUE: 11±1 IN.LB.

010-01-003 Ball [Ø 0.1875] Delrin
210-24-085 Lockring, Resi End Cap, 2017 LIVE [1.150 TLG, 1.050 OD]

NOTE: ORIENTATION CRITICAL

BODIES:
207-50-006: Body: (T) Float [Ø 0.940 Bore, 1.060 OD, 4.312 TLG] Al 6061, Kashima, 2.25
207-50-036: Body: (T) Float [Ø 0.940 Bore, 1.060 OD, 4.396 TLG] Al 6061, Kashima, 190 x 40/45

805-00-092-KIT Piston Assembly: Floating [Ø 0.940 Bore, 0.325 TLG]

813-00-274-KIT Rezi Endcap Assy: Live, [.940 Bore] Black Ano III

038-01-040 Retaining Ring: Wire [1.070 OD x 0.040 CS] 17-7 SST

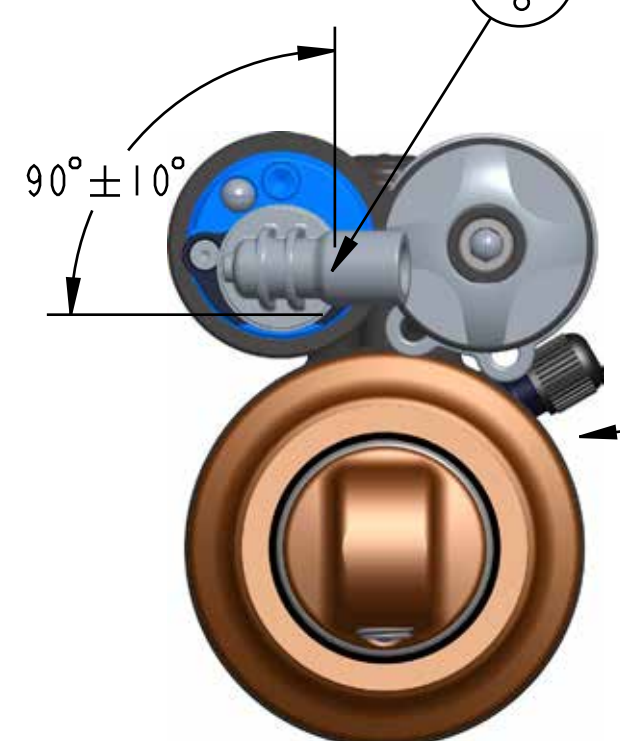
TORQUE: 15±5 IN.LB AFTER NITROGEN

IMPORTANT: ENSURE RING IS SEATED FULL 360°

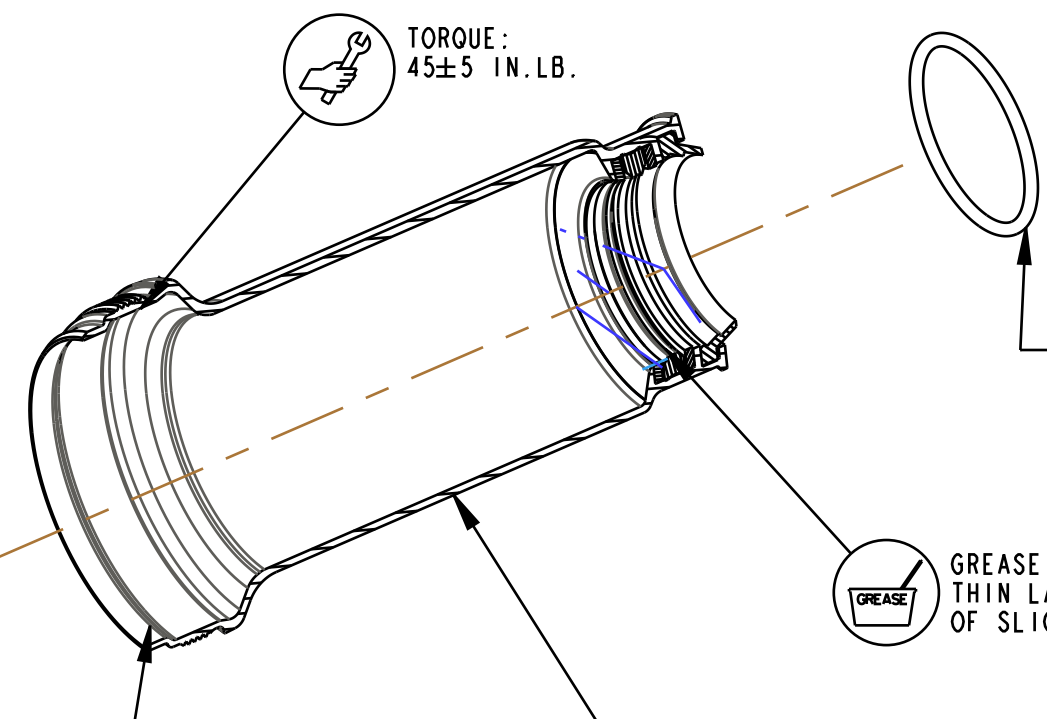
IMPORTANT: ORIENT ADJUSTER AND CABLE END AS SHOWN

90° ± 10°

IMPORTANT: ORIENT CABLE CLIP AS SHOWN



233-00-321 Volume Spacer: Negative, 2018, FLOAT, EVOL, .12 c.i., Light Red (Mach 4 SL only)



TORQUE: 45±5 IN.LB.

029-03-022 O-Ring (-022) [1.070 C.S. X .989 ID]

GREASE: THIN LAYER OF SLICK HONEY

AIR SLEEVE ASSEMBLIES:
806-29-599-KIT: Sleeve Assembly: 2018, 1.500 Bore, LV, EVOL, Kashima, 7.875 X 2.25/2.00, 0.5" Shaft
806-29-610-KIT: Sleeve Assembly: 2018, 1.500 Bore, LV-Metric, EVOL, Kashima, 190 X 40/45

218-01-017 LIVE Valve MTB, Cable to Reservoir Clip

SHAFTS:
230-22-001: Shaft: (T) [.390/.360 ID X .498 OD X 3.13 TLG] 7.875 X 2.0/2.25
230-22-009: Shaft: (T) [.390/.360 ID X .498 OD X 2.652 TLG] 190/165(T) X 45

OIL: THIN LAYER OF SHOCK OIL

OIL: THIN LAYER OF SHOCK OIL

TORQUE: 20±2 FT.LB.

807-72-248-KIT Valving Assy: 2019 Float LIVE Valve, Main Piston, Complete Assy

TORQUE: 14±2 IN.LB.

010-00-011 Pellet [Ø 0.275 X 0.125 TLG] NBR A90

010-00-010 Pellet Retainer [5/16-24, .220 TLG]

010-01-003 Ball [Ø 0.1875] Delrin

BEARING ASSEMBLIES:
812-06-090-KIT: Bearing Assy: FLOAT, 2018, Tall [.940 Bore, 1.500 Bore, .500in Shaft] (Mach 5.5)
812-06-089-KIT: Bearing Assy: FLOAT, 2018, Short [.940 Bore, 1.500 Bore, .500in Shaft] (Mach 4 SL)

210-24-393 RD Adj Insert, 2014 Float X, 28deg Taper [1.126 Hex, .175 TLG, 6x .059 thru]

METERING RODS:
210-90-001: Rebound Rod, (T) 2014 Float X, 3.395 TLG for 7.875 X 2.0/2.25
210-90-009: Rebound Rod, (T) 2017 LIVE, 2.917 TLG, 190 X 45 & 145(T) X 35

LOCTITE: RED 277 360° 1-3 THREADS

TORQUE: 110±5 IN.LB.

OIL: FULLY COAT WITH SHOCK OIL

029-08-205 Seals: O-Ring [3.0mm ID X 1.0mm CS] Metric, A90 NBR, Static

029-03-110 O-Ring (-110) [1.103 C.S. X .362 ID]

041-15-110 Valve: [1.100 OD X .504 ID X .015 TH]

VOLUME SPACERS:
233-00-342: Volume Spacer: 2018 Float DPX2 0.6in³ Plastic, Light Blue (Mach 5.5)
233-00-344: Volume Spacer: 2018 Float DPX2 1.02in³ Plastic, Dark Blue (Mach 4 SL)

233-00-271 Spacer: Metric Travel, Float X, 5.0mm (Mach 4 SL)

808-17-308-KIT Eyelet Assy: 2018, FLOAT LIVE, LV

TORQUE: 80±5 IN.LB.

TORQUE: 60±5 IN.LB.

NOTE: ORIENTATION CRITICAL

PROPRIETARY - THIS DOCUMENT CONTAINS CONFIDENTIAL, PROPRIETARY INFORMATION THAT IS FOR PROPERTY. DO NOT DISCLOSE TO OR DUPLICATE FOR OTHERS EXCEPT AS AUTHORIZED BY FOX.

FOX Factory, Inc.
130 Hangar Way, Watsonville, CA 95076 USA
Ph 831-768-1100
Fax 831-768-9312

2020 FLOAT LIVE OE:
Pivot Mach 5.5, Pivot Mach 4 SL

PLOT SCALE 1:1 SHEET 1 OF 2